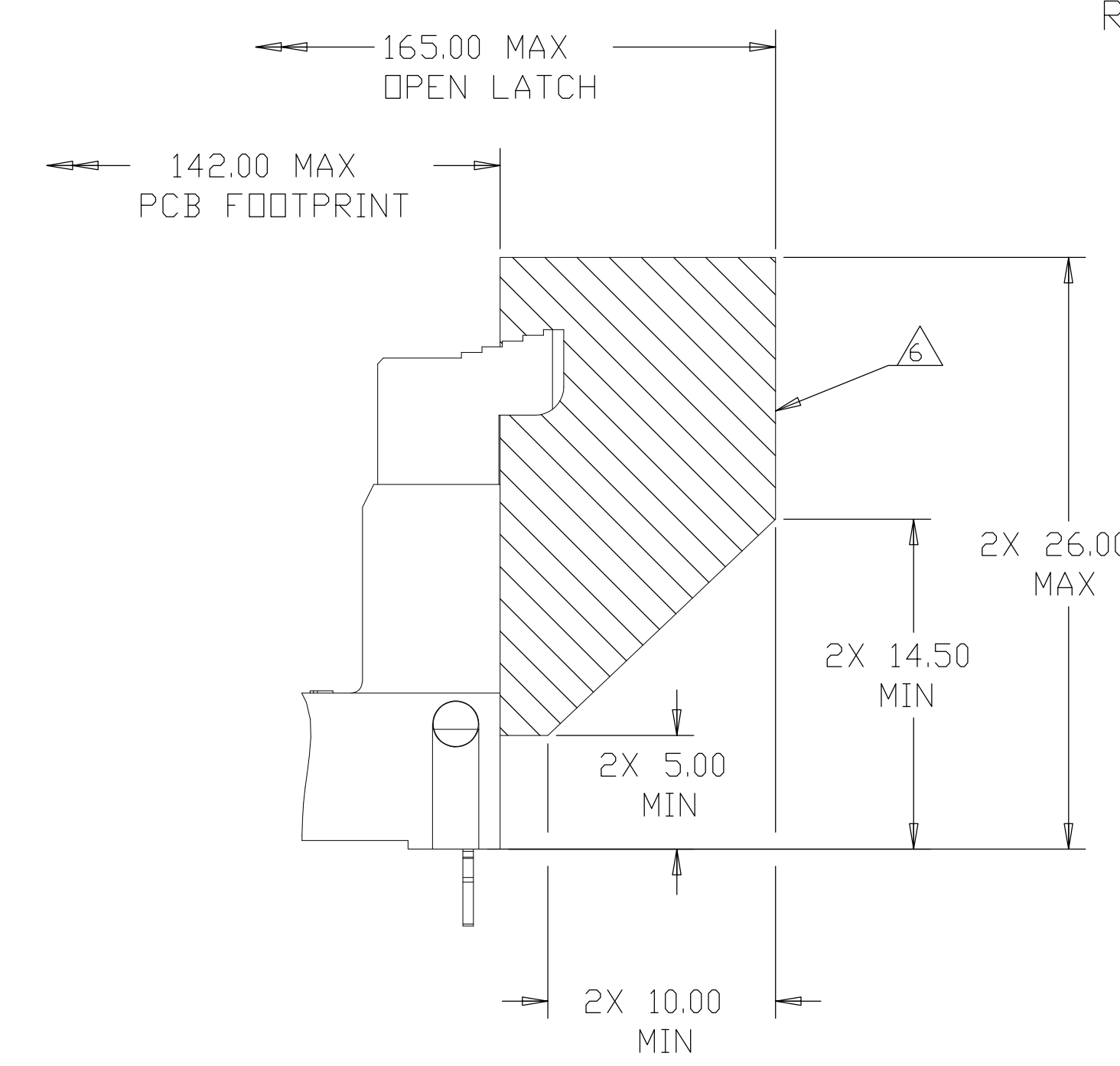
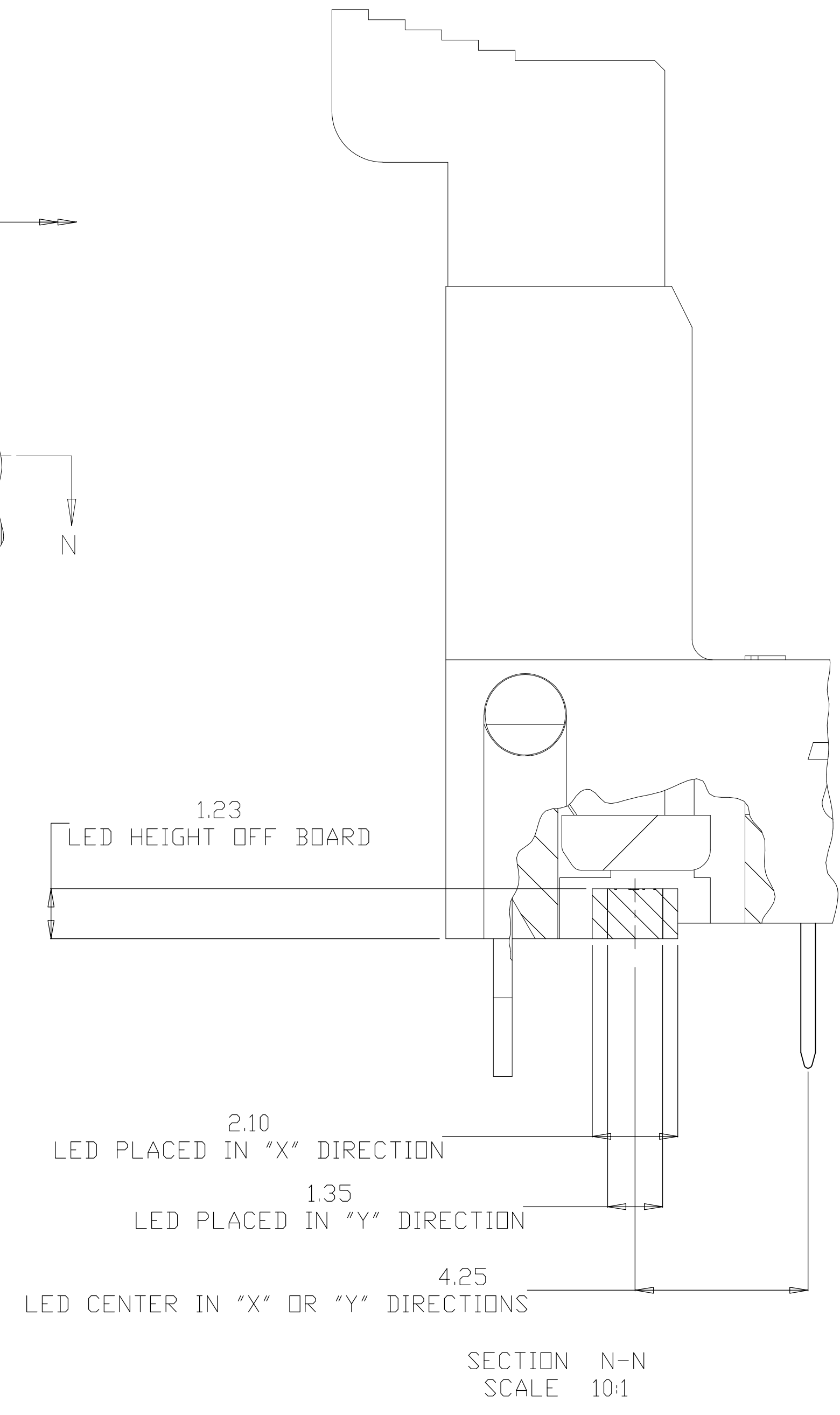
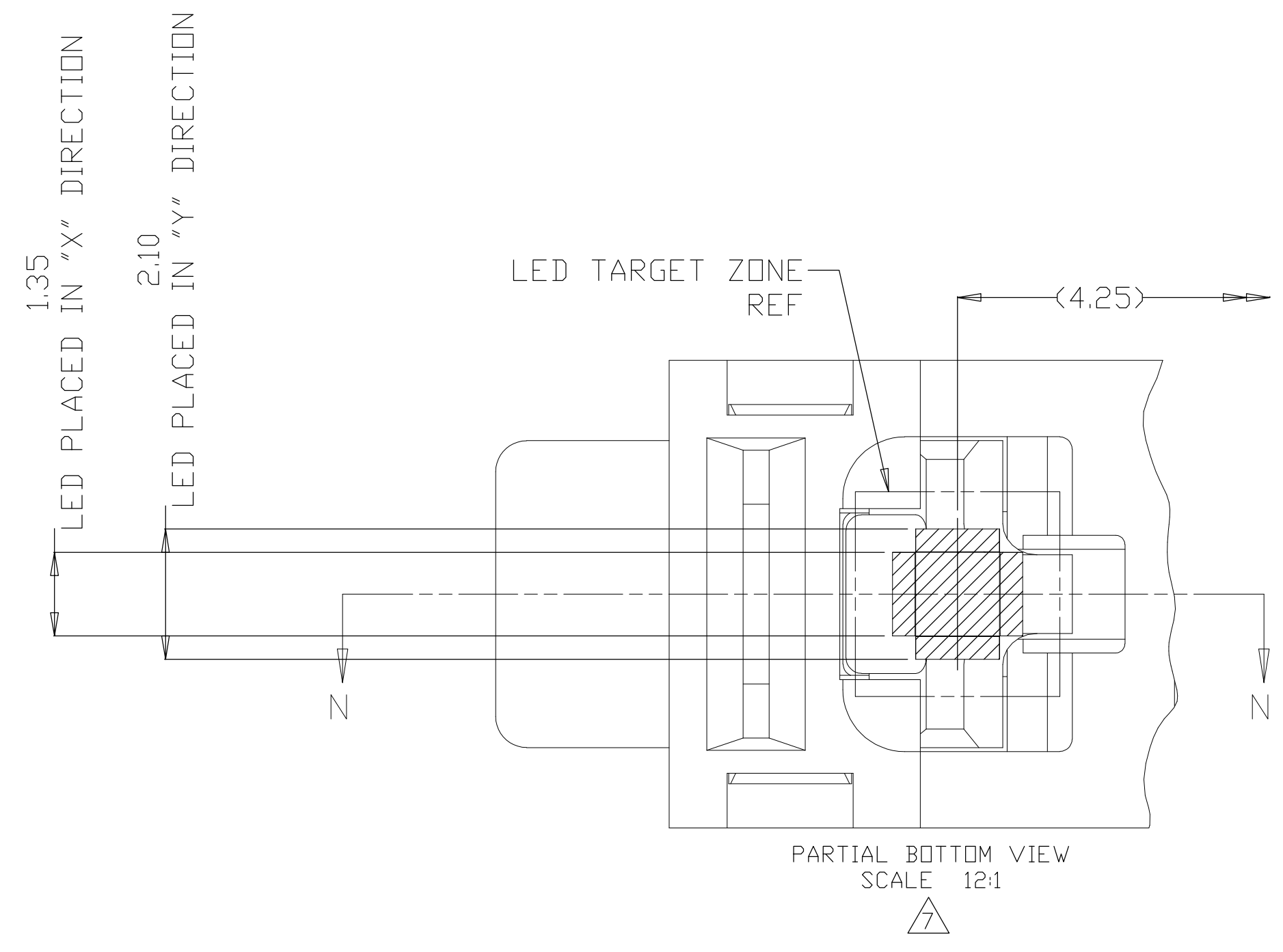


RETENTION BARB TYPE SHOWN ON ALL SHEET UNLESS OTHERWISE NOTED

- MATERIALS:**
- HOUSING: HIGH TEMPERATURE NYLON, UL94 V-0
 - EXTRACTOR: HIGH TEMPERATURE NYLON, UL94 V-0
 - CONTACTS: COPPER ALLOY
 - RETENTION BARB: BRASS, TIN PLATED
- INTERFACE FINISH:**
- (1) 0.00038 MIN THK GOLD OVER 0.00127 MIN THK NICKEL.
 - (2) 0.00008 MIN THK GOLD OVER 0.00127 MIN THK NICKEL.
 - (3) 0.00076 MIN THK GOLD OVER 0.00127 MIN THK NICKEL.
- FINISHED HOLE SIZE:** 0.15 MAXIMUM ANNULAR RING.
- KEEP OUT ZONE:**
- KEEP OUT AREA RESERVED FOR SOCKET EXTRACTORS, BOTH ENDS.
- SOLDERTAIL FINISH:**
- 0.00300 MIN THK MATTE TIN OVER 0.00127 MIN THK NICKEL.
- LED LOCATION AS APPLICABLE PER CUSTOMER.**
- DATUM -G- IS CONNECTOR SIDE SURFACE OF PCB.**



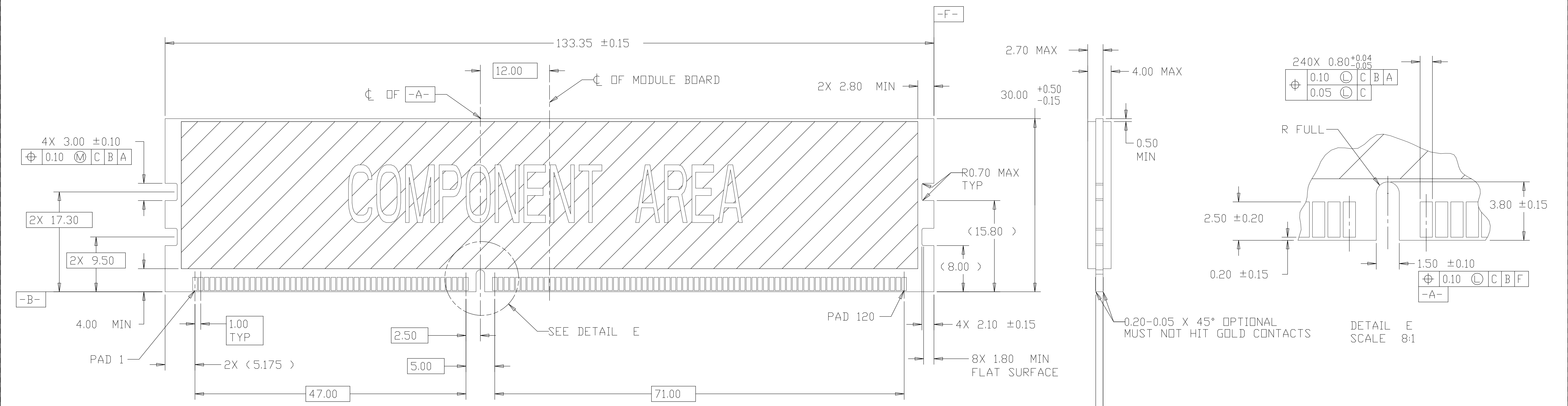
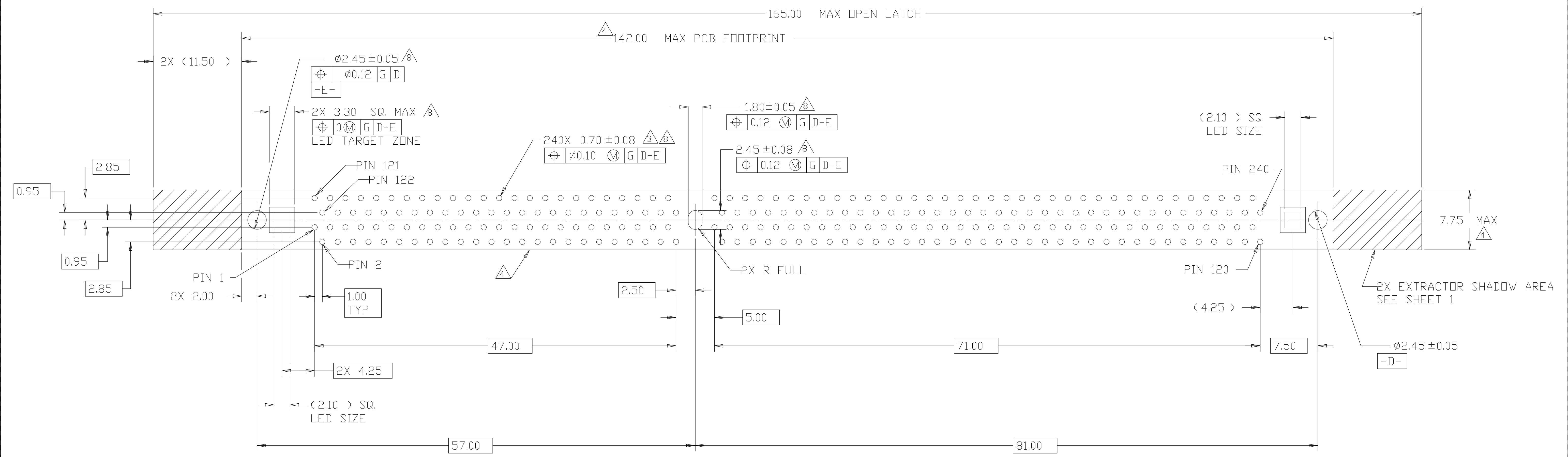
THIS DRAWING IS A CONTROLLED DOCUMENT.		DIN LEO ZHOU 28FEB2007	TE Connectivity
DIMENSIONS: mm		CHK STEVEN YAO 28FEB2007	
TOLERANCES UNLESS OTHERWISE SPECIFIED:		APVD STEVEN YAO 28FEB2007	NAME
0. PLC ± -		SOCKET ASSEMBLY, VERTICAL DDR3 DIMM, SOLDER TAIL, 240 POSITION	
1. PLC ± 0.5		PRODUCT SPEC 108-2256	
2. PLC ± 0.13		APPLICATION SPEC 114-13154	
3. PLC ± 0.013		SIZE	CAGE CODE
4. PLC ± 0.0001		WEIGHT	DRAWING NO
ANGLES ± -		A1 00779	1932000
MATERIAL		CUSTOMER DRAWING	
FINISH		SCALE 4:1	SHEET 1 OF 4
		REV H7	



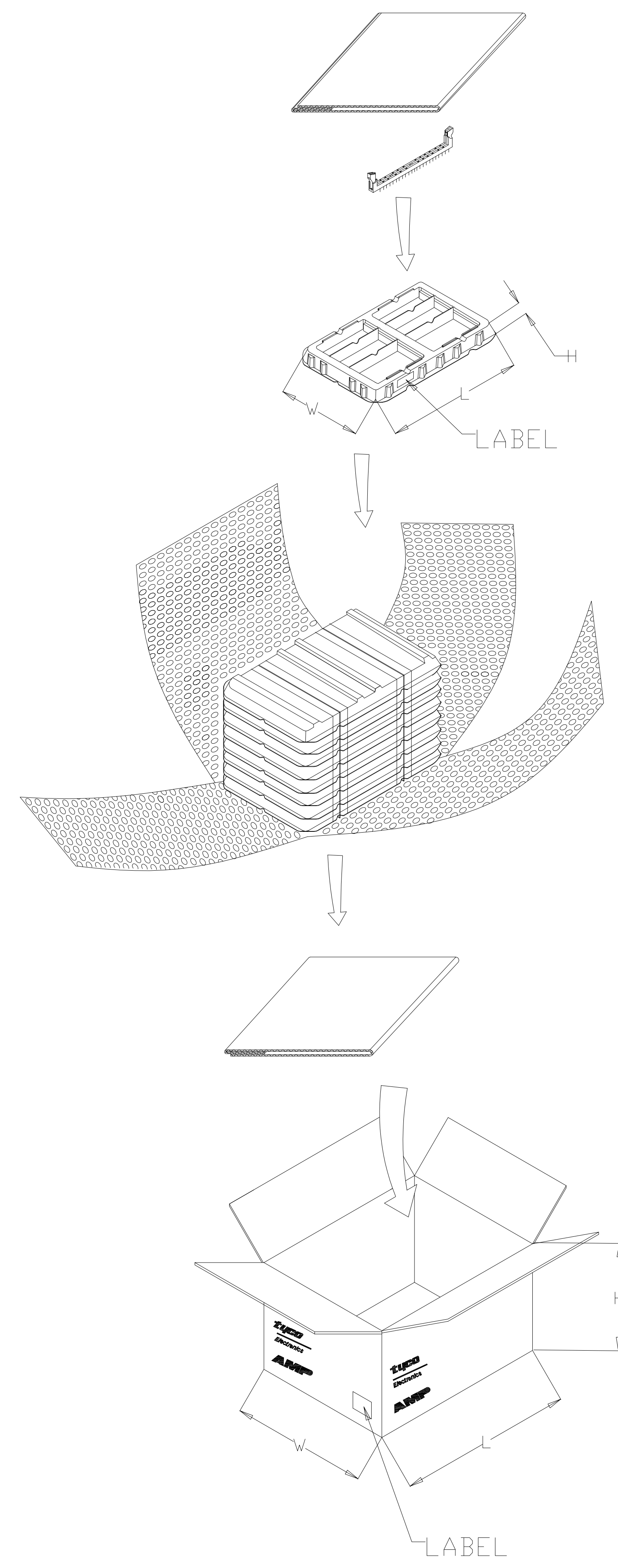
HOUSING STYLE	EXTRACTOR COLOR	HOUSING COLOR	CONTACT GOLD INTERFACE	TAIL LENGTH	PART NUMBER
RETENTION BARB	BLACK	BLACK	0.00076 MIN (30u'')	2.54	7-1932000-6
	NATURAL	BLACK	0.00076 MIN (30u'')	2.54	7-1932000-5
	NATURAL	BLUE(2935U)	0.00038 MIN(15u'')	2.67	7-1932000-2
	NATURAL	PINK(701C)	0.00008 MIN (3u'', FLASH)	2.54	6-1932000-5
		BLUE(284C)		2.54	6-1932000-4
	BLACK	BLACK	0.00076 MIN (30u'')	4.00	5-1932000-2
				3.18	5-1932000-1
	NATURAL	BLACK	0.00076 MIN (30u'')	4.00	4-1932000-8
				3.18	4-1932000-7
	NATURAL	GREEN(368C) BLUE(284C) ORANGE(021C)	0.00038 MIN (15u'')	2.67	4-1932000-6
				2.67	3-1932000-3
				2.67	2-1932000-5
	BLACK	BLACK	0.00038 MIN (15u'')	2.67	2-1932000-1
				3.18	1-1932000-7
	NATURAL	BLACK	0.00038 MIN (15u'')	4.00	1-1932000-6
				2.67	1-1932000-5
	NATURAL	NATURAL	0.00038 MIN (15u'')	3.18	1-1932000-1
				2.67	1-1932000-0
				2.67	1932000-7
				4.00	1932000-6
NATURAL	NATURAL	0.00008 MIN (3u'', FLASH)	3.18	1932000-5	
			2.67	1932000-4	
			4.00	1932000-3	
			3.18	1932000-2	
			2.67	1932000-1	

THIS DRAWING IS A CONTROLLED DOCUMENT.

DIMENSIONS: mm	TOLERANCES UNLESS OTHERWISE SPECIFIED:	DIN LEO ZHOU 28FEB2007	STE
0. PLC ± -	1. PLC ± 0.5	CHK STEVEN YAO 28FEB2007	TE Connectivity
2. PLC ± 0.15	3. PLC ± 0.013	APVD STEVEN YAO 28FEB2007	NAME
4. PLC ± 0.0001	ANGLES ± -	PRODUCT SPEC	SOCKET ASSEMBLY, VERTICAL DDR3 DIMM, SOLDER TAIL, 240 POSITION
MATERIAL	FINISH	APPLICATION SPEC	RESTRICTED TO
		WEIGHT	SIZE CAGE CODE DRAWING NO
			A1 00779 1932000
		CUSTOMER DRAWING	SCALE 4:1 SHEET 2 OF 4 REV H7



THIS DRAWING IS A CONTROLLED DOCUMENT.		DIN	LEO ZHOU	28FEB2007	TE Connectivity
		CHK	STEVEN	28FEB2007	
		APVD	STEVEN YAO	28FEB2007	NAME SOCKET ASSEMBLY, VERTICAL DDR3 DIMM, SOLDER TAIL, 240 POSITION
		PRODUCT SPEC			
		APPLICATION SPEC			SIZE A1
		WEIGHT			
		CUSTOMER DRAWING			SCALE 4:1 SHEET 3 OF 4 REV H7



BOTTOM TRAY

TRAY

CARTON

NOTES:

1. MATERIAL:
 - 1.1 TRAY: PVC
 - 1.2 SHIPPING CARTON : CORRUGATED FIBERBOARD
2. DIMENSION :
 - 2.1 TRAY : L=363, W=255, H=33
 - 2.2 SHIPPING CARTON : L=375, W=265, H=280
3. QUANTITY :
 - 3.1 PRIMARY PACKING : 50 PCS/TRAY
 - 3.2 SECONDARY PACKING : 8 TRAY/CARTON(400PCS)
4. WEIGHT :
 - 4.1 NET WEIGHT : 3.76 KG
 - 4.2 GROSS WEIGHT: 6.00 KG

THIS DRAWING IS A CONTROLLED DOCUMENT.		DIN	LEO ZHOU	28FEB2007	TE Connectivity
		CHK	STEVEN	28FEB2007	
		APVD	STEVEN YAO	28FEB2007	NAME
		PRODUCT SPEC			SOCKET ASSEMBLY, VERTICAL DDR3 DIMM, SOLDER TAIL, 240 POSITION
		APPLICATION SPEC			RESTRICTED TO
		SIZE	CAGE CODE	DRAWING NO	
		WEIGHT		A1 00779	1932000
		CUSTOMER DRAWING			SCALE
		SHEET 4 OF 4			REV H7